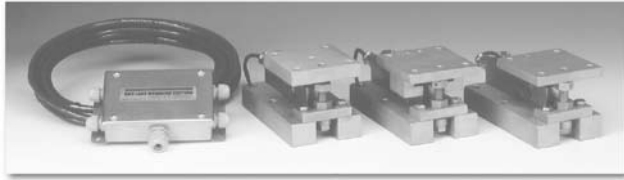


Load Cells Now Have
30ft of CABLE

Paramounts® HS



Available in configuration with three or four mounting assemblies.

LOAD CELL CERTIFICATIONS



STANDARD FEATURES

- Capacities (per module): 520-22,500 lb (2.3kN-102.1 kg-100kN-10,205.9kg)
- Unique design allows for thermal expansion/contraction
- Jacking screw allows empty vessel to be lifted clear of load cell for maintenance
- Unique blind load hole eliminates unwanted side and eccentric loads
- Vessel is free to slide laterally on Teflon®-coated surfaces
- Load cell outputs are matched to ±.07%, allowing replacement without further calibration

Complete Kit Includes:

- 1 JB4ES NEMA 4X stainless steel excitation trim junction box
- 1 fixed-pin module, 1 side-stop module, and 1 or 2 free-sliding assemblies
- Flintec SB4 or SB10 (520lb) NTEP Certified 1:5000d, Class III, stainless steel hermetically-sealed load cell
- 25ft of our hostile environment EL147HE SURVIVOR® load cell cable

Teflon is a registered trademark of E.I. DuPont

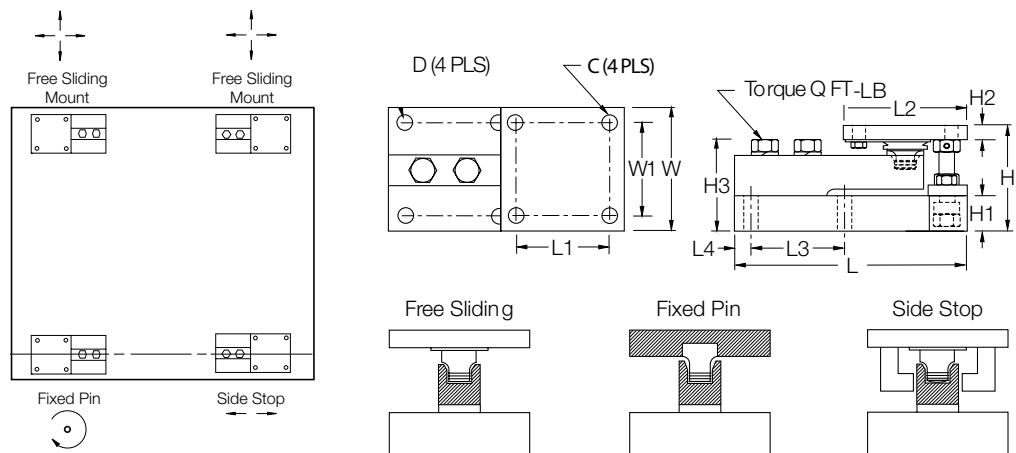
SPECIFICATIONS

DIMENSIONS

RATED CAPACITY lb/inches	C	D	H	H1	*H2	**H2	H3	L	L1	L2	L3	L4	W	W1	Q (FT-LB)
225-520 (1 - 2.3 kN)	.375	.437	3.49	1.00	.50	.75	2.98	7.51	3.00	4.00	3.00	.50	4.00	3.00	65
1125-5200 (5 - 23 kN)	.437	.437	3.58	1.25	.50	.75	3.06	7.51	3.00	4.00	3.00	.50	4.00	3.00	65
11,250 (50 kN)	.562	.562	4.66	1.50	.62	1.00	4.09	9.19	3.87	5.00	3.87	.56	5.00	3.87	295
22,500 (100 kN)	.688	.688	6.41	2.00	.75	1.25	5.73	11.46	4.75	6.00	4.75	.69	6.00	4.75	515
kg/mm															
102.2-236.1	9.5	11.1	88.6	25.4	12.7	19.1	75.7	190.8	76.2	101.6	76.2	12.7	101.6	76.2	
510.8-2360	11.1	11.1	90.9	31.8	12.7	19.1	77.7	190.8	76.2	101.6	76.2	12.7	101.6	76.2	
5107.5	14.3	14.3	118.4	38.1	15.7	25.4	103.9	233.4	98.3	127.0	98.3	14.2	127.0	98.3	
10,215.0	17.5	17.5	162.8	50.8	19.1	31.8	145.5	291.1	120.7	152.4	120.7	17.5	152.4	120.7	

* Side stop and free-slide units

** Fixed pin units



VESSEL ARRANGEMENT

When arranged as illustrated, the vessel is fixed at one corner but is able to slide freely as indicated. This ensures that there is minimal side loading on the cells and at the same time the vessel is self-checking. The unique, patented blind load hole technology used in these mounts introduces the load at the neutral axis of the load cell which helps minimize the effects of side loads.

LOAD RATING (LOAD CELL CAPACITY)**PART #****NTEP 3-Module Kit**

1125lb (5kN*/510.8kg)	29871
2250lb (10kN*/1021.5kg)	29872
5200lb (23kN*/2360.8kg)	29873
11,250lb (50kN*/5107.5kg)	29874

NTEP 4-Module Kit

1125lb (5kN*/510.8kg)	29875
2250lb (10kN*/1021.5kg)	29876
5200lb (23kN*/2360.8kg)	29877
11,250lb (50kN*/5107.5kg)	29878

Non-NTEP 3-Module Kit

520lb (2.3kN*/236.1kg)	38205
1125lb (5kN*/510.8kg)	17977
2250lb (10kN*/1021.5kg)	17978
5200lb (23kN*/2360.8kg)	17979
11,250lb (50kN*/5107.5kg)	17980
22,500lb (100kN*/10,215.0kg)	17981

Non-NTEP 4-Module Kit

520lb (2.3kN*/236.1kg)	38206
1125lb (5kN*/510.8kg)	17984
2250lb (10kN*/1021.5kg)	17985
5200lb (23kN*/2360.8kg)	17986
11,250lb (50kN*/5107.5kg)	17987
22,500lb (100kN*/10,215.0kg)	17988

* kN = kilonewtons, 1 kN = 224.8089lb