



All you need at a price you want

- Simple & easy to use price computing scale
- Compact & robust
- Portable with internal battery as standard



Easy to use

Designed to offer all the functions your business needs, the FX50 is a simple price-computing scale with great features like large, easy-to-use keys on a wipe-clean keypad and highly visible back-lit vendor and customer displays. It's as easy to program as it is to use and offers up to 50 Price Look-Up keys, 12 of which are hot-shot keys for fast-moving items.

Other FX50 functions include:

- Price per kg / per lb
- Tare options
- Touch-key entry of unit price with hold (save) facility.



Compact and portable

Aesthetically designed with a compact footprint to maximize counter space and a spacious weigh platter manufactured in high quality stainless steel, the FX50 is the perfect fit for the Independent Retailer. The highly portable FX50 can be used both inside and outdoors as both mains and battery power are standard. Power-saving functions such as programmable auto power-off and back-light display mode are ideal when using the internal rechargeable battery.



Performance

- **Capacity:** 30lb x 0.01lb / 15kg x 5g switching
- **Keyboard:** Price Computing membrane keyboard with audio feedback (bleep) supporting 30 keys
- **Functions:**
 - 50 PLUs – 38 indirect, 12 hot shot
 - Price base – kg / lb
 - Tare
 - X2 & X4
 - Save
 - Zero
 - Clear
- **Battery life:** Up to 80 hours when back light off, up to 35 hours with backlight on

Display

- Choice of Integral or customer tower display
- Back lit front & rear LCD as standard
- Back light programmable for power saving
- Characters 20mm in height
- Unit weight: 6 seven segment digits
- Unit price: 6 seven segment digits
- Total price: 6 seven segment digits

Power Supply

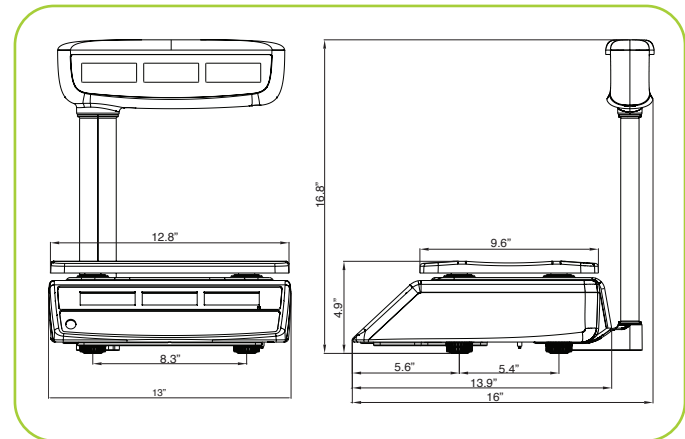
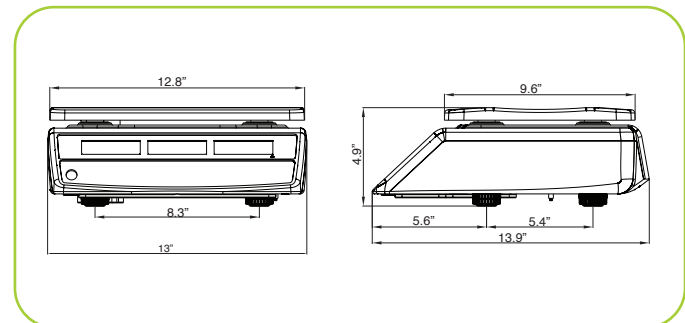
- Power operation via plug in switch mode power supply 100-240V
- Battery operation via internal rechargeable 6V 4amp sealed lead acid battery

Operating Range

- Operating temperature: 14°F – 104°F (-10°C to +40°C)

Scale Dimensions

Integral housing:	13.9" (354mm) x 13" (331mm) x 4.9" (125.7mm) (top of weigh platter to feet)
Tower housing:	16" (410.4mm) x 13" (331mm) x 4.9" (125.7mm) (top of weigh platter to feet) / 16.8" (428mm) (top of tower display)
Weigh platter:	12.8" (326mm) x 9.6" (244mm)
Tower display:	Height 16.8" (428mm) display housing 12.2" (310mm) x 2.6" (65.5mm)



© Avery Berkel 2007. All rights reserved. This publication is

C&M SCALE
 Website: www.cmscale.com
 Email: support@cmscale.com

Toll Free: (800) 243-3721
 In Chicago: (708) 771-0195
 Fax: (708) 771-0195

