



RD-232 NEMA 4X
FRP Enclosure



RD-232 NEMA 4X
stainless steel wall
mount enclosure

RD-232 compact
stainless steel wall
mount enclosure



STANDARD FEATURES

- NEMA 4X Fiberglass-Reinforced Polyester (FRP) wall-mount enclosure
- Optional NEMA 4X stainless steel wall-mount enclosure or NEMA 12 panel-mount version
- Easy-to-read 6-digit 0.8in (20.3mm) Light Emitting Diode (LED)
- AC or DC operation
- Four status annunciators
- Full floating decimal point
- RS-232 or 20mA current loop active or passive interface
- Compatible with a variety of digital weighing indicators; DIP switch selectable intuitive data receiver interprets serial strings

SPECIFICATIONS

DISPLAY:

6-digit, 7-segment, 0.8in (20.32mm) Light Emitting Diode (LED)

STATUS ANNUNCIATORS:

lb, kg, gross, net

OPERATING VOLTAGE:

115VAC/12VDC, ±10% 60Hz,
230VAC available
DC Voltage Range: 6.2-18VDC

INPUT INTERFACE:

RS-232, 20mA active or passive
current loop, standard
ASCII compatible

BAUD RATE:

Selectable: 300, 600, 1200, 2400, 4800,
9600, 19,200

OPERATING TEMPERATURE:

-13°F to 104°F (-25°C to 40°C)

RATING/MATERIAL:

NEMA 4X FRP or optional stainless steel

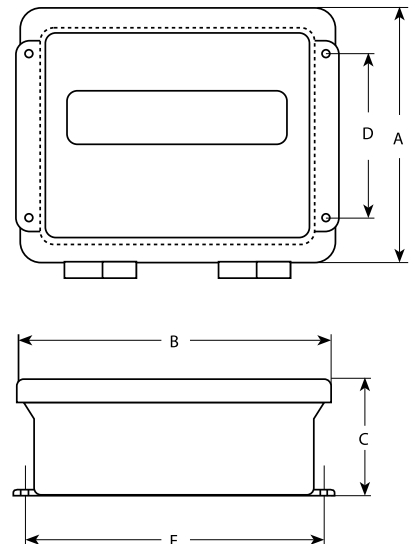
WEIGHT:

Approximately 5 lb (2.3kg)
Stainless steel unit, approximately 6 lb (2.7 kg)

WARRANTY:

One-year limited warranty

| DIMENSIONS | | | |
|----------------------------------|----------------------|----------|------------------|
| FRP ENCLOSURE | | | |
| A | 8.00-1.75 in (203mm) | D | 4.00 in (101 mm) |
| B | 9.50 in (241 mm) | E | 8.75 in (222 mm) |
| C | 5.25 in (133mm) | | |
| STAINLESS STEEL ENCLOSURE | | | |
| A | 6.00 in (152mm) | D | 4.00 in (101 mm) |
| B | 9.50 in (241 mm) | E | 8.75 in (222 mm) |
| C | 3.87 in (98mm) | | |
| COMPACT ENCLOSURE | | | |
| A | 6.25 in (158mm) | D | 5.25 in (133 mm) |
| B | 9.25 in (234 mm) | E | 8.50 in (215 mm) |
| C | 2.00 in (50mm) | | |
| PANEL MOUNT | | | |
| A | 5.88 in (149mm) | D | 5.12 in (130mm) |
| B | 7.88 in (200mm) | E | 7.12 in (180mm) |
| C | 2.00 in (50mm) | | |



| PART # | DESCRIPTION | EST. SHIP WEIGHT |
|---------------|---|-------------------------|
| 32716..... | RD-232, 115VAC/12VDC, FRP enclosure | 5 lb |
| 68786..... | RD-232, 115VAC/12VDC, compact stainless steel enclosure..... | 5 lb |
| 32717..... | RD-232, 115VAC/12VDC, NEMA 4X stainless steel enclosure | 8 lb |
| 32727..... | RD-232, 115VAC/12VDC, panel mount | 3 lb |
| 34748..... | RD-232, 230VAC/12VDC, FRP enclosure | 5 lb |

Specify interfacing indicator when ordering a remote display

OPTIONS/ACCESSORIES

| | | |
|------------|---|--|
| 32726..... | RD-232, 115VAC/12VDC board only | |
| 33210..... | Additional operating manual (RD-232/RD-300) | |