

# DeckHand

Portable Scale



Shown with optional ramp

## APPROVALS



Measurement  
Canada  
Approved



## STANDARD FEATURES

- Mild or stainless steel frame, base, and mast
- 500lb, 1,000lb, 2,000lb capacity
- Large rubber wheels simplify movement on uneven floors
- Aluminum load cells (2)
- Standard indicator mount with integral handles for the IQ plus® 355, IQ plus 390-DC, IQ plus 510, IQ plus 590-DC, IQ plus 710, and IQ plus 700.

## SPECIFICATIONS

### DECKHAND PORTABLE SCALE END LOAD CAPACITY:

100% end loading

### mV/V OUTPUT:

2mV/V

### CABLE LENGTH:

9ft 10in (3m)

### HEIGHT:

Weighing platter: 4.5in H when in weigh mode

### COLUMN HEIGHT:

59in

### APPROVALS:

NTEP Certified, CC# 98-004, Class III, 2500d  
Measurement Canada approved, AM-5218

### WARRANTY:

One-year limited warranty

## DECKHAND PORTABLE SCALE — SCALE ONLY

PART #	MODEL	OVERALL SIZE (W x L x H)	CAPACITY	EST. SHIP WEIGHT
<b>Mild Steel</b>				
41293.....	DH-500 .....	31 in x 41 in x 4.5 in.....	500 lb (250 kg).....	336 lb (152 kg)
41294.....	DH-1000 .....	31 in x 41 in x 4.5 in.....	1,000 lb (500 kg).....	356 lb (161 kg)
41295.....	DH-2000 .....	31 in x 41 in x 4.5 in.....	2,000 lb (1,000 kg).....	373 lb (169 kg)
<b>Stainless Steel</b>				
41296.....	DH-500 .....	31 in x 41 in x 4.5 in.....	500 lb (250 kg) .....	336 lb (152 kg)
41297.....	DH-1000 .....	31 in x 41 in x 4.5 in.....	1,000 lb (500 kg) .....	356 lb (161 kg)
41298.....	DH-2000 .....	31 in x 41 in x 4.5 in.....	2,000 lb (1,000 kg) .....	373 lb (169 kg)

## DECKHAND ROUGH-N-READY SYSTEM — SCALE AND INDICATOR PACKAGE

PART #	DECKHAND CAPACITY	OVERALL SIZE (W x L x H)	INDICATOR	EST. PACKAGE SHIP WEIGHT*
<b>Mild Steel Only</b>				
69525.....	500lb x 0.2lb .....	31 in x 41 in x 4.5 in.....	IQ plus 590-DC, 115 VAC.....	343 lb (155 kg)
69526.....	1,000lb x 0.5lb .....	31 in x 41 in x 4.5 in.....	IQ plus 590-DC, 115 VAC.....	363 lb (164 kg)
69527.....	2,000lb x 1.0lb .....	31 in x 41 in x 4.5 in.....	IQ plus 590-DC, 115 VAC.....	380 lb (172 kg)
69528.....	500lb x 0.2lb .....	31 in x 41 in x 4.5 in.....	IQ plus 590-DC, 230 VAC.....	343 lb (155 kg)
69529.....	1,000lb x 0.5lb .....	31 in x 41 in x 4.5 in.....	IQ plus 590-DC, 230 VAC.....	363 lb (164 kg)
69530.....	2,000lb x 1.0lb .....	31 in x 41 in x 4.5 in.....	IQ plus 590-DC, 230 VAC.....	380 lb (172 kg)

\* Approximate weight for scale and indicator.

# DeckHand

Rough-n-Ready System



Shown with optional ramp

## APPROVALS

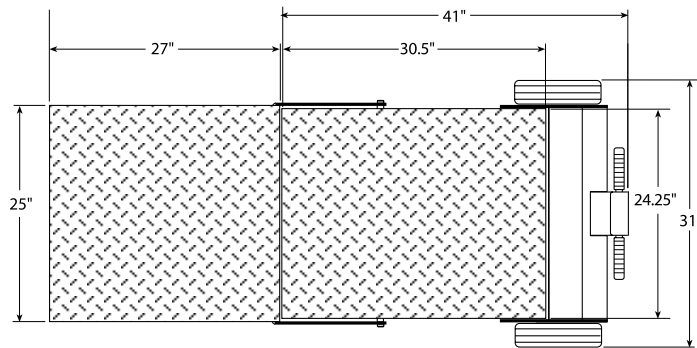
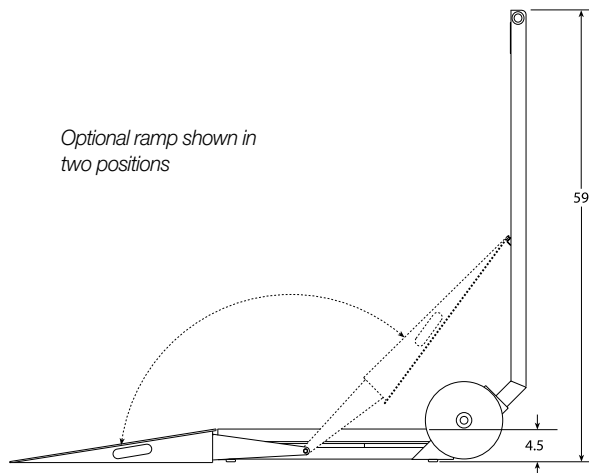


Measurement  
Canada  
Approved

## STANDARD FEATURES

- Mild steel wheeled frame, base, and mast
- 500lb, 1,000lb, 2,000lb capacity
- Large rubber wheels simplify movement on uneven floors
- Aluminum load cells (2)
- Package includes: Mild steel DeckHand Portable Scale and IQ plus® 590-DC indicator
- Battery life 40 hours continuous
- Factory-wired and calibrated

See page I-19 for Indicator specifications.



## DeckHand & DeckHand *Rough-n-Ready* System

PART #	OVERALL SIZE (W x L x H)	CAPACITY	EST. SHIP WEIGHT
--------	-----------------------------	----------	---------------------

### DECKHAND PORTABLE SCALE (SCALE ONLY)

#### Mild Steel

41293	.31 in x 41 in x 4.5 in	500 lb	336 lb
41294	.31 in x 41 in x 4.5 in	1,000 lb	356 lb
41295	.31 in x 41 in x 4.5 in	2,000 lb	373 lb

#### Stainless Steel

41296	.31 in x 41 in x 4.5 in	500 lb	336 lb
41297	.31 in x 41 in x 4.5 in	1,000 lb	356 lb
41298	.31 in x 41 in x 4.5 in	2,000 lb	373 lb

### DECKHAND ROUGH-N-READY SYSTEM (SCALE AND INDICATOR PACKAGE)

#### Mild Steel w/IQ plus 590-DC, 115VAC Indicator

69525	.31 in x 41 in x 4.5 in	500 lb	343 lb*
69526	.31 in x 41 in x 4.5 in	1,000 lb	363 lb*
69527	.31 in x 41 in x 4.5 in	2,000 lb	380 lb*

#### Mild Steel w/IQ plus 590-DC, 230VAC Indicator

69528	.31 in x 41 in x 4.5 in	500 lb	343 lb*
69529	.31 in x 41 in x 4.5 in	1,000 lb	363 lb*
69530	.31 in x 41 in x 4.5 in	2,000 lb	380 lb*

### OPTIONS/ACCESSORIES

#### DeckHand Portable Scale & DeckHand Rough-n-Ready System

43376	Ramp assembly, 500/1,000 lb, mild steel, 25 in x 27 in	100 lb
43378	Ramp assembly, 2,000 lb, mild steel, 25 in x 27 in	100 lb
43978	Additional DeckHand operating manual	

#### DeckHand Portable Scale only

89576	Clam shell for 1,260 load cell, stainless steel	
43377	Ramp assembly, 500/1,000 lb, stainless steel, 25 in x 27 in	
43379	Ramp assembly, 2,000 lb, stainless steel, 25 in x 27 in	

#### DeckHand Portable Scale Optional Indicator Mounts

41371	Mounting bracket for IQ 700 IS, 320IS with battery option stainless steel	
43938	Mounting bracket for CW-80-I, stainless steel	
N/A	Smooth top	

**C&M SCALE**  
 CALL FOR A QUOTE!  
[www.cmscale.com](http://www.cmscale.com)

Toll Free (800) 243-3721  
 Phone # (708) 771-0100  
 Fax # (708) 771-0195