

Ishida iPC Series

Portable Bench Scales



iPC with dual display



APPROVALS



STANDARD FEATURES

- Six-digit Liquid Crystal Display (LCD)
- Powered by two "D" cell batteries* (up to 500 hours operation)
- Auto power-off function
- Low battery indicator
- Overload stops

* Batteries and AC adaptor not included

SPECIFICATIONS

DISPLAY:

Six digits (7-segment), LCD
Character height: 1 in (25.4 mm)

KEYBOARD:

Zero, tare, on/off, unit (lb/kg)
NOTE: oz version only displays weight in oz

POWER:

Two dry cell "D" type batteries* (up to 500 hours)
or AC adapter
Auto power-off function (can be set to 60 min.,
20 min., or off)

OPERATIONAL TEMPERATURE:

23°F to 104°F (-5°C to 40°C)

DIVISIONS (AUTO RANGING):

100 oz: 0.05 oz from 0–50 oz, 0.1 oz
from 50–100 oz
6 lb (3kg): 0.002 lb (0.001 kg)
from 0–3 lb (0–1.5 kg), 0.005 lb (0.002 kg) from
3–6 lb (1.5–3 kg)
15 lb (6kg): 0.005 lb (0.002 kg)
from 0–6 lb (0–3 kg), 0.01 lb (0.005 kg)
from 6–15 lb (3–6 kg)
30 lb (15kg): 0.01 lb (0.005 kg)
from 0–15 lb (0–7.5 kg), 0.02 lb (0.01 kg)
from 15–30 lb (7.5–15 kg)
60 lb (30kg): 0.02 lb (0.01 kg)
from 0–30 lb (0–15 kg), 0.05 lb (0.02 kg)
from 30–60 lb (15–30 kg)

APPROVALS:

NTEP Certified CC# 02-139, UL listed

PLATTER SIZE:

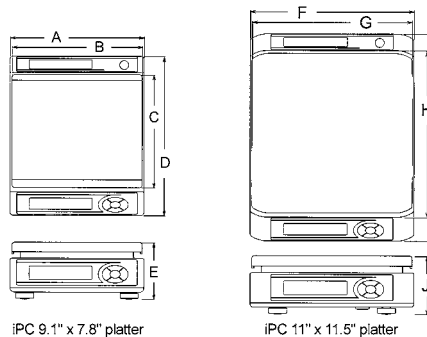
100 oz: (3kg) 9.1 in x 7.8 in (231 mm x 198.1 mm)
6 lb (3kg): 9.1 in x 7.8 in (231 mm x 198.1 mm)
15 lb (6kg): 9.1 in x 7.8 in (231 mm x 198.1 mm)
30 lb (15kg): 11 in x 11.5 in (279.4 mm x
292.1 mm)
60 lb (30kg): 11 in x 11.5 in (279.4 mm x
292.1 mm)

WARRANTY:

One-year limited warranty

| PART # | CAPACITY | PLATFORM DIMENSIONS | EST. SHIP WEIGHT |
|--------------------------------------|---------------|---------------------|------------------|
| Single display | | | |
| 75466 | 100 oz (3 kg) | 9.1 in x 7.8 in | 6 lb |
| Single display, Multi-ranging | | | |
| 75454 | 6 lb (3 kg) | 9.1 in x 7.8 in | 6 lb |
| 75455 | 15 lb (6 kg) | 9.1 in x 7.8 in | 6 lb |
| 75457 | 30 lb (15 kg) | 11 in x 11.5 in | 8 lb |
| 75458 | 60 lb (30 kg) | 11 in x 11.5 in | 8 lb |
| Dual display | | | |
| 75468 | 100 oz (3 kg) | 9.1 in x 7.8 in | 6 lb |
| Dual display, multi-ranging | | | |
| 75460 | 6 lb (3 kg) | 9.1 in x 7.8 in | 6 lb |
| 75461 | 15 lb (6 kg) | 9.1 in x 7.8 in | 6 lb |
| 75462 | 30 lb (15 kg) | 11 in x 11.5 in | 8 lb |
| 75464 | 60 lb (30 kg) | 11 in x 11.5 in | 8 lb |

| DIMENSIONS | | | |
|------------|--------------------|----------|--------------------|
| A | 9.3 in (236.2 mm) | F | 11.3 in (287 mm) |
| B | 9.1 in (231.1 mm) | G | 11 in (279.4 mm) |
| C | 7.8 in (198.1 mm) | H | 11.5 in (292.1 mm) |
| D | 11.1 in (281.9 mm) | I | 14.3 in (363.2 mm) |
| E | 3.9 in (99.1 mm) | J | 4 in (101.6 mm) |



OPTIONS/ACCESSORIES

- 75470.....Stainless steel platter cover (100 oz, 6 lb, and 15 lb capacity)
- 75739.....Stainless steel platter cover (30 lb and 60 lb capacity)
- 75473.....AC adapter
- 75889.....Additional operating manual

C&M SCALE
CALL FOR A QUOTE!
www.cmscale.com

Toll Free (800) 243-3721
Phone # (708) 771-0100
Fax # (708) 771-0195

| PART # | CAPACITY | PLATFORM DIMENSIONS | EST. SHIP WEIGHT |
|-------------------------------|------------------|----------------------------|-------------------------|
| Single display | | | |
| 75466..... | 100oz (3kg)..... | 9.1 in x 7.8 in | .6lb |
| Single display, multi-ranging | | | |
| 75454..... | 6lb (3kg)..... | 9.1 in x 7.8 in | .6lb |
| 75455..... | 15lb (6kg)..... | 9.1 in x 7.8 in | .6lb |
| 75457..... | 30lb (15kg)..... | 11 in x 11.5 in | .8lb |
| 75458..... | 60lb (30kg)..... | 11 in x 11.5 in | .8lb |
| Dual Display | | | |
| 75468..... | 100oz (3kg)..... | 9.1 in x 7.8 in | .6lb |
| Dual display, multi-ranging | | | |
| 75460..... | 6lb (3kg)..... | 9.1 in x 7.8 in | .6lb |
| 75461..... | 15lb (6kg)..... | 9.1 in x 7.8 in | .6lb |
| 75462..... | 30lb (15kg)..... | 11 in x 11.5 in | .8lb |
| 75464..... | 60lb (30kg)..... | 11 in x 11.5 in | .8lb |

OPTIONS/ACCESSORIES

| | | | |
|------------|--|--|--|
| 75470..... | Stainless steel platter cover (100oz, 6lb, and 15lb capacity)..... | | |
| 75739..... | Stainless steel platter cover (30lb and 60lb capacity)..... | | |
| 75473..... | AC adapter | | |
| 75889..... | Additional operating manual..... | | |

C&M SCALE
 CALL FOR A QUOTE!
www.cmscale.com

Toll Free (800) 243-3721
 Phone # (708) 771-0100
 Fax # (708) 771-0195