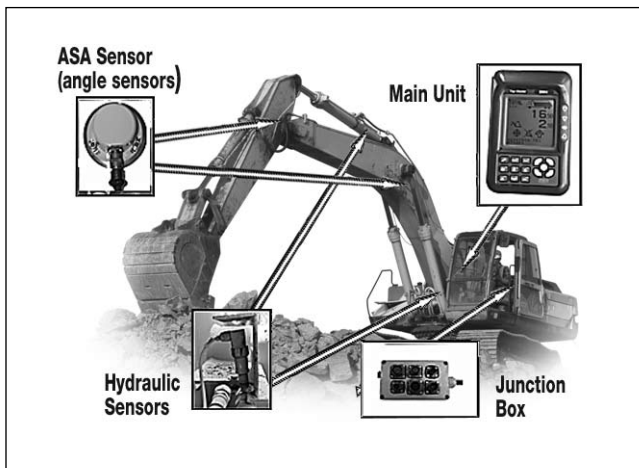


ES-1 Excavator Scale

On-Board Weighing Systems

Rice Lake's ES-1 Excavator Scale provides on-the-go weighing for excavators.

Essential for quarries, transfer stations, mines and remote sites. The ES-1 is a state-of-the-art solution for on the move weighing that won't slow your production rates. This system allows excavator operators to accurately load trucks, rail cars or vessels to optimum capacity, eliminating load adjustments at the outbound scale.



STANDARD FEATURES

- Unique self-learning calibration method that drastically reduces the system installation time
- ES-1 is a dynamic weighing system which allows you to accurately weigh without stopping your operation or movement
- Ergonomic display design, knuckle-boom support and wide back lit LDC enables immediate understanding of weight data
- Graphic display and icons make reading the display easy during the loading process
- Customer and material management keeps track of production and inventory
- Can Bus based I/O
- IP65 housing and mil-spec connectors
- Display of partial weights and relative totals automatically summed without operator intervention
- Partial zeroing (tipping) for precise loadings
- 1000 different customers with name, address, etc.
- 200 types of materials with names
- 50 different operators
- 500 truck numbers
- 100 projects
- Sum of truck loads
- Subtraction of the partial loads starting from the target
- Display of totals for materials
- RS-232 output for printers, modem, telemetry, GPS

If the system has a printer:

- Print tickets for each weighment
- Print total ticket at the end of each load
- End of day (week, month or year) summary grouped together by type of material loaded
- Date and time
- Load up to 10 different materials on the same truck
- Load up to 10 different trucks at the same time

SPECIFICATIONS

OPERATING VOLTAGE:

10-30VDC (polarity)

TEMPERATURE**OPERATING RANGE:**

-22°F to 158°F (-20°C to 70°C)

PANEL DIMENSIONS:

5,1 X 7,7 X 2,5in

LOAD MEASURING ACCURACY:

+/-3%

CONNECTIONS FOR DATA**TRANSMISSION:**

Two RS-232/C

UNITS OF MEASURE:

Ton, Kg, Tu, Lbs

WARRANTY:

Two-year limited warranty

C&M SCALE
CALL FOR A QUOTE!
www.cmscale.com

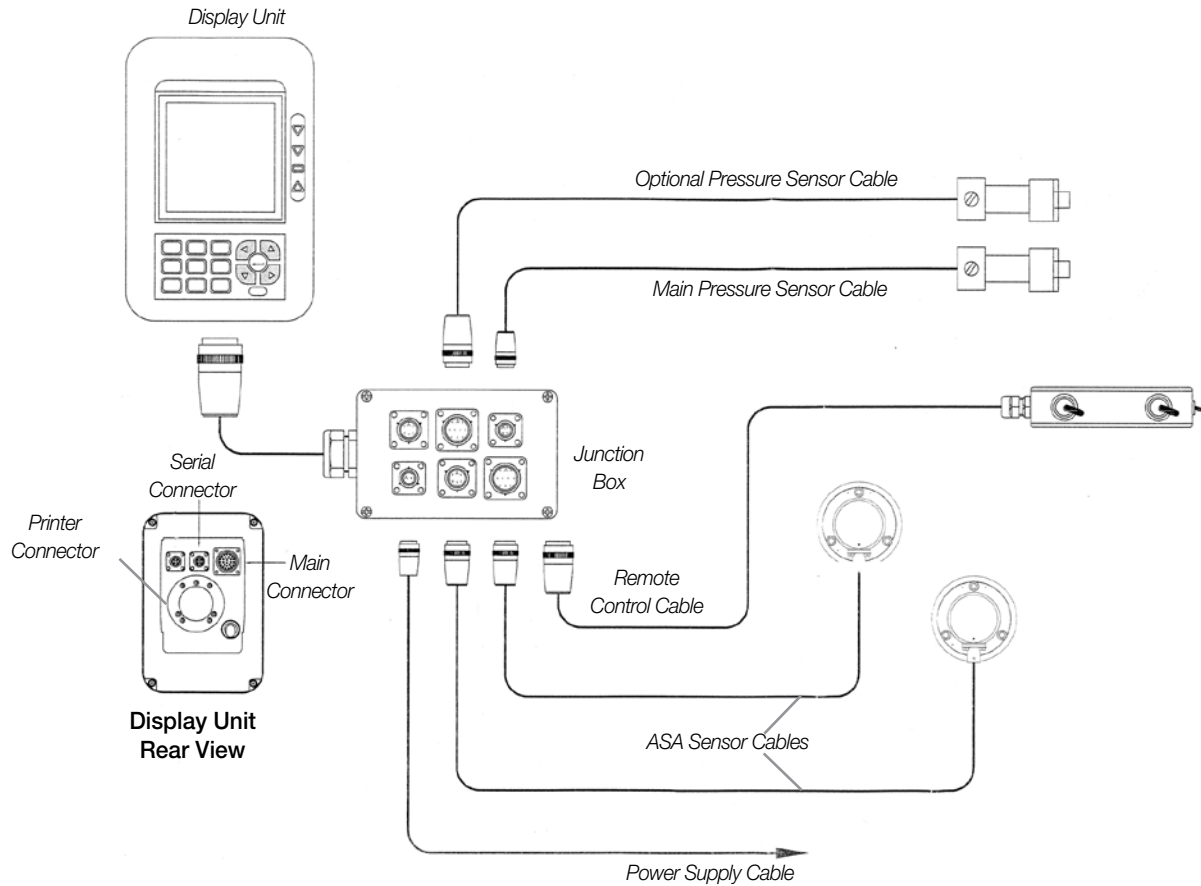
Toll Free (800) 243-3721
Phone # (708) 771-0100
Fax # (708) 771-0195

PART # DESCRIPTION

103193..... ES-1 loader scale

OPTIONS/ACCESSORIES

- 103780..... Roll tape printer, 24 column
- 100035..... Power cable with connector.....
- 100030..... SD12 junction box
- 100033..... Hydraulic pressure sensor.....
- 100036..... Hydraulic pressure sensor cable
- 100037..... Hydraulic fitting kit.....
- 100383..... ASA sensor weld plate.....
- 100032..... ASA cable with connector.....
- 100029..... ES-1 Indicator.....
- 100034..... Remote control with connector
- 108568..... ASA sensor 360 angle sensor
- 103180..... ES-1 manual.....
- 107613..... Printer bracket
- 108234..... Wireless data package.....
- 104594..... ASA sensor cover



C&M SCALE
 CALL FOR A QUOTE!
www.cmscale.com

Toll Free (800) 243-3721
 Phone # (708) 771-0100
 Fax # (708) 771-0195