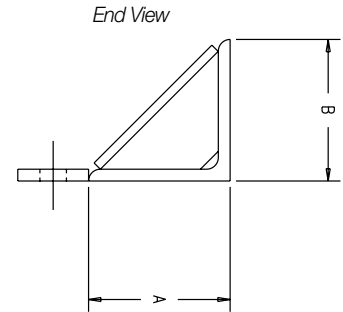
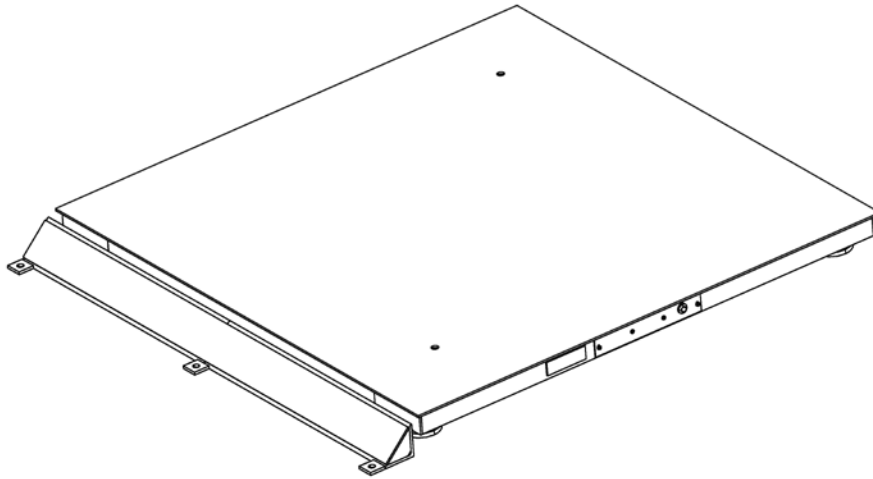


Bumper Guards

Option A



Anchor bolt size required:
1/2 in dia. (Not Included)

Construction:
RoughDeck® HP & HP-H versions
(Mild steel, painted safety yellow)
RoughDeck® SS/HE
(304 stainless steel)

Model	A	B
RoughDeck HP	3 in	3 in
RoughDeck SS/HE	3 in	3 in
RoughDeck HP-H	4 in	4 in

LENGTH (FT)	ROUGHDECK HP	PRICE EACH	ROUGHDECK SS/HE	PRICE EACH	ROUGHDECK HP-H
2.5	86815	\$125.00	86824	\$215.00	86833
3.0	86816	150.00	86825	255.00	86834
4.0	86817	200.00	86826	340.00	86835
5.0	86818	250.00	86827	425.00	86836
6.0	86819	300.00	86828	510.00	86837
7.0	86820	350.00	86829	595.00	86838
8.0	86821	400.00	86830	680.00	86839
9.0	86822	450.00	86831	765.00	86840
10.0	86823	500.00	86832	850.00	86841

ACCESSORIES

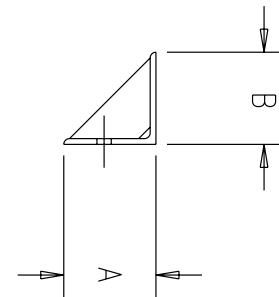
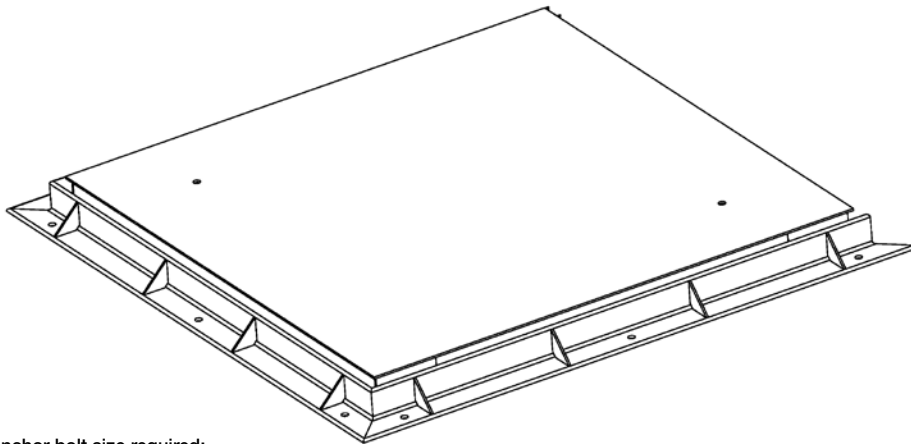
PART #	DESCRIPTION
18777	Floor anchor plates, mild steel (set of two), RoughDeck HP
18778	Floor anchor plates, stainless steel (set of two), RoughDeck SS/HE
40387	Floor anchor plates, mild steel (set of two), RoughDeck HP-H 20k
40388	Floor anchor plates, mild steel (set of two), RoughDeck HP-H 30k

C&M SCALE
CALL FOR A QUOTE!
www.cmscale.com

Toll Free (800) 243-3721
Phone # (708) 771-0100
Fax # (708) 771-0195

Bumper Guards

Option B



Anchor bolt size required:
1/2 in dia. (Not Included)

Construction:
RoughDeck® HP & HP-H versions
(Mild steel, Painted safety yellow)

RoughDeck ®SS/HE
(304 stainless steel)

Note: If you plan to surround scale on all four sides with bumper guards, option B, please contact factory as a special bumper guard must be made to accommodate the homerun cable exit.

Model	A	B
RoughDeck HP	3in	3in
RoughDeck SS/HE	3in	3in
RoughDeck HP-H	4in	4in

LENGTH (FT)	ROUGHDECK HP	ROUGHDECK SS/HE	ROUGHDECK HP-H
2.5.....	86843.....	86852.....	86861.....
3.0.....	86844.....	86853.....	86862.....
4.0.....	86845.....	86854.....	86863.....
5.0.....	86846.....	86855.....	86864.....
6.0.....	86847.....	86856.....	86865.....
7.0.....	86848.....	86857.....	86866.....
8.0.....	86849.....	86858.....	86867.....
9.0.....	86850.....	86859.....	86868.....
10.0.....	86851.....	86860.....	86869.....

ACCESSORIES

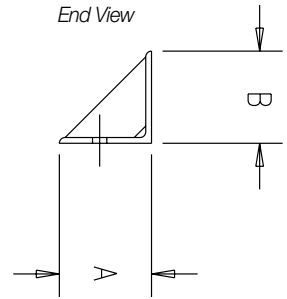
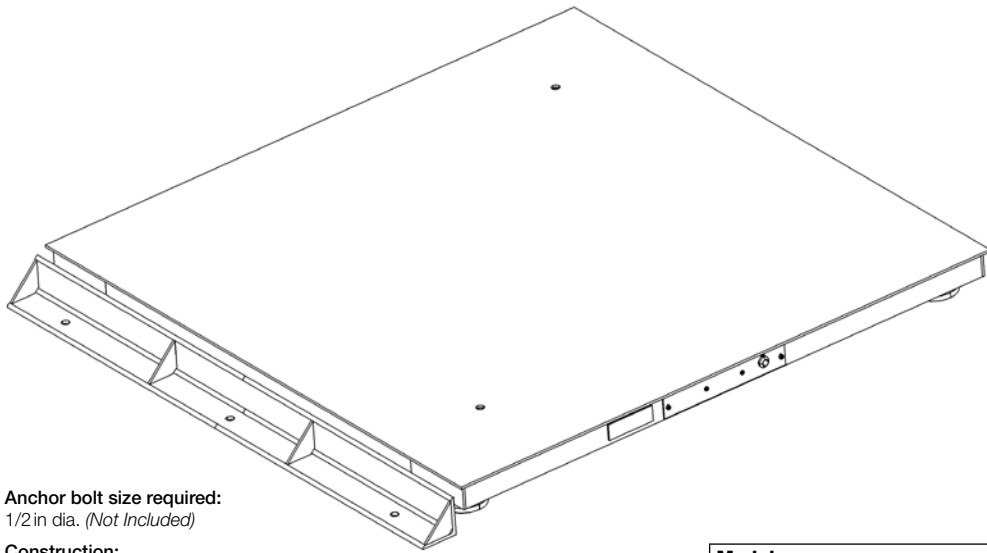
PART #	DESCRIPTION
18777.....	Floor anchor plates, mild steel (set of two), RoughDeck HP.....
18778.....	Floor anchor plates, stainless steel (set of two), RoughDeck SS/HE ...
40387.....	Floor anchor plates, mild steel (set of two), RoughDeck HP-H 20k
40388.....	Floor anchor plates, mild steel (set of two), RoughDeck HP-H 30k

C&M SCALE
CALL FOR A QUOTE!
www.cmscale.com

Toll Free (800) 243-3721
Phone # (708) 771-0100
Fax # (708) 771-0195

Bumper Guards

Option C



Anchor bolt size required:
1/2 in dia. (Not Included)

Construction:
RoughDeck® HP & HP-H versions
(Mild steel, Painted safety yellow)
RoughDeck® SS/HE
(304 stainless steel)

Model	A	B
RoughDeck HP	3 in	3 in
RoughDeck SS/HE	3 in	3 in
RoughDeck HP-H	4 in	4 in

LENGTH (FT)	ROUGHDECK HP	ROUGHDECK SS/HE	ROUGHDECK HP-H
2.5	86870	86879	86888
3.0	86871	86880	86889
4.0	86872	86881	86890
5.0	86873	86882	86891
6.0	86874	86883	86892
7.0	86875	86884	86893
8.0	86876	86885	86894
9.0	86877	86886	86895
10.0	86878	86887	86896

ACCESSORIES

PART #	DESCRIPTION
18777	Floor anchor plates, mild steel (set of two), RoughDeck HP
18778	Floor anchor plates, stainless steel (set of two), RoughDeck SS/HE
40387	Floor anchor plates, mild steel (set of two), RoughDeck HP-H 20k
40388	Floor anchor plates, mild steel (set of two), RoughDeck HP-H 30k

C&M SCALE
CALL FOR A QUOTE!
www.cmscale.com

Toll Free (800) 243-3721
Phone # (708) 771-0100
Fax # (708) 771-0195