

# RoughDeck® BDP

## Barrel Scale – Standard Model with Portability Option



### APPROVALS



### STANDARD FEATURES

- Live siderails
- Top access foot adjustment holes (holes are 1/2-13 threaded for lifting scale)
- Four adjustable stainless steel SUREFOOT™ support feet
- 30 in x 31 in or 36 in x 37 in weighing surface (not including side rails)
- TuffSeal® JB4SS Stainless Steel, NEMA 4X junction box with signal trim card
- Three-year limited warranty

#### Mild Steel Models

- Treaded top plate
- Alloy steel load cells

#### Stainless Steel Models

- Smooth top plate
- Stainless steel or stainless steel with welded-seal (IP67) load cells

### SPECIFICATIONS

#### END LOAD CAPACITY:

1,000lb: 100% full scale  
2500lb: 80% full scale

#### CABLE LENGTH:

10 ft (3m)

#### APPROVALS:

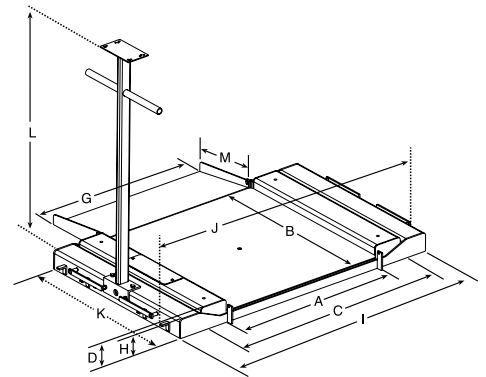
NTEP Certified CC#03-060  
Measurement Canada Approved: AM5578

#### WARRANTY:

Three-year limited warranty

### ROUGHDECK BDP SCALE

PART #	PLATFORM (W x L)	CAPACITY (Canadian Approved Capacities in parenthesis)	EST. SHIPWEIGHT
<b>Mild Steel</b>			
77962	30 in x 31 in	1,000 lb (500 kg)	205 lb
77963	30 in x 31 in	2,500 lb (1,000 kg)	205 lb
77964	36 in x 37 in	1,000 lb (500 kg)	265 lb
77965	36 in x 37 in	2,500 lb (1,000 kg)	265 lb
<b>Stainless Steel</b>			
77967	30 in x 31 in	1,000 lb (500 kg)	205 lb
77968	30 in x 31 in	2,500 lb (1,000 kg)	205 lb
77969	36 in x 37 in	1,000 lb (500 kg)	265 lb
77970	36 in x 37 in	2,500 lb (1,000 kg)	265 lb
<b>Stainless Steel with Stainless Steel Welded-Seal (IP67) Load Cells</b>			
77971	30 in x 31 in	1,000 lb (500 kg)	205 lb
77972	30 in x 31 in	2,500 lb (1,000 kg)	205 lb
77973	36 in x 37 in	1,000 lb (500 kg)	265 lb
77974	36 in x 37 in	2,500 lb (1,000 kg)	265 lb



DIMENSIONS W/PORTABILITY FRAME AND HINGED ACCESS RAMPS			
30 IN x 31 IN MODELS			
<b>A</b>	30.0 in (762 mm)	<b>I</b>	49.25 in (1250.9 mm)
<b>B</b>	31.0 in (787.4 mm)	<b>J</b>	52.25 in (1327.1 mm)
<b>C</b>	40.0 in (1016 mm)	<b>K</b>	31.12 in (790.4 mm)
<b>D</b>	3.66 in (92.9 mm)	<b>L</b>	40.37 in (1025.4 mm)
<b>G</b>	29.25 in (742.9 mm)	<b>M</b>	12.0 in (304.8 mm)
<b>H</b>	3.25 in (82.5 mm)		
36 IN x 37 IN MODELS			
<b>A</b>	36.0 in (914.4 mm)	<b>I</b>	55.25 in (1403.4 mm)
<b>B</b>	37.0 in (939.8 mm)	<b>J</b>	58.25 in (1479.5 mm)
<b>C</b>	46.0 in (1168.4 mm)	<b>K</b>	37.12 in (942.8 mm)
<b>D</b>	3.66 in (92.9 mm)	<b>L</b>	40.37 in (1025.4 mm)
<b>G</b>	35.25 in (895.3 mm)	<b>M</b>	12.0 in (304.8 mm)
<b>H</b>	3.25 in (82.5 mm)		

### ROUGHDECK BDP PORTABILITY KITS

Kits include:

- Frame
- Two swivel and two fixed zinc plated steel NSF approved wheels (75 lb max. load capacity)
- Indicator stand (suitable for IQ plus® 310, 320IS, 320IS plus, IQ plus® 355, IQ plus® 390, IQ plus® 590, IQ 700, UMC444 and UMC555)

PART #	DESCRIPTION	EST. SHIP WEIGHT
<b>Mild Steel</b>		
78021	For use with 30 in x 31 in scale	90 lb
78022	For use with 36 in x 37 in scale	100 lb
<b>Stainless Steel</b>		
78023	For use with 30 in x 31 in scale	90 lb
78024	For use with 36 in x 37 in scale	100 lb

Distance from floor to top of center weighing surface: 1.94 in (49.2 mm)

Distance from floor to bottom of weighing surface: 0.62 in (15.7 mm)

### HINGED ACCESS RAMPS For use with portability kit

PART #	SIZE (W X L)	EST. SHIP WEIGHT
<b>Mild Steel</b>		
78015	29.25 in x 12 in (sold individually)	25 lb
78016	35.25 in x 12 in (sold individually)	30 lb
<b>Stainless Steel</b>		
78017	29.25 in x 12 in (sold individually)	25 lb
78018	35.25 in x 12 in (sold individually)	30 lb

<b>PART #</b>	<b>SIZE (W x L)</b>	<b>CAPACITY (CANADIAN APPROVED CAPACITIES)</b>	<b>EST. SHIP WEIGHT</b>
<b>BDP SCALE</b>			
<b>Mild Steel</b>			
77962.....	30in x 31 in.....	1,000lb (500kg) .....	205lb .....
77963.....	30in x 31 in.....	2,500lb (1,000kg) .....	205lb .....
77964.....	36in x 37 in.....	1,000lb (500kg) .....	265lb .....
77965.....	36in x 37 in.....	2,500lb (1,000kg) .....	265lb .....
<b>Stainless Steel</b>			
77967.....	30in x 31 in.....	1,000lb (500kg) .....	205lb .....
77968.....	30in x 31 in.....	2,500lb (1,000kg) .....	205lb .....
77969.....	36in x 37 in.....	1,000lb (500kg) .....	265lb .....
77970.....	36in x 37 in.....	2,500lb (1,000kg) .....	265lb .....
<b>Stainless Steel with Stainless Steel Welded-Seal (IP67) Load Cells</b>			
77971.....	30in x 31 in.....	1,000lb (500kg) .....	205lb .....
77972.....	30in x 31 in.....	2,500lb (1,000kg) .....	205lb .....
77973.....	36in x 37 in.....	1,000lb (500kg) .....	265lb .....
77974.....	36in x 37 in.....	2,500lb (1,000kg) .....	265lb .....

**PORTABILITY KITS**

Kits include:

- Frame
- Two swivel and two fixed zinc plated steel NSF approved wheels (75 lb max. load capacity)
- Indicator stand (suitable for IQ plus® 310, 320IS, 320IS plus, IQ plus® 355, IQ plus® 390, 420 plus, IQ plus® 590, IQ 700, UMC444 and UMC555)

<b>Mild Steel</b>			
78021.....	For use with 30in x 31 in scale .....		90lb .....
78022.....	For use with 36in x 37 in scale .....		100lb .....
<b>Stainless Steel</b>			
78023.....	For use with 30in x 31 in scale .....		90lb .....
78024.....	For use with 36in x 37 in scale .....		100lb .....

**HINGED ACCESS RAMPS**

For use with portability kit

<b>Mild Steel</b>			
78015.....	29.25in x 12in (sold individually) .....		25lb .....
78016.....	35.25in x 12in (sold individually) .....		30lb .....
<b>Stainless Steel</b>			
78017.....	29.25in x 12in (sold individually) .....		25lb .....
78018.....	35.25in x 12in (sold individually) .....		30lb .....

**C&M SCALE**  
 CALL FOR A QUOTE!  
[www.cmscale.com](http://www.cmscale.com)

Toll Free (800) 243-3721  
 Phone # (708) 771-0100  
 Fax # (708) 771-0195