



## Model 6880 ROLLING CHAIR SCALE

Zero turning radius ability is the hallmark of this lightweight rolling chair scale. Ergonomics dictated this stylish, battery-powered chair scale's contemporary design. This system comes complete with a large LCD display. It has a 440 lb/200 kg capacity that is sensitive to 0.2 lb/0.1 kg. Oversized 3 inch/8 cm diameter wheels and sleek styling allow this scale to be extremely portable.



Model  
6880

*The 6880's footrests fold away to promote patient security when getting into or out of the scale.*

# ROLLING CHAIR SCALE

**Model  
6880**



**Zero Turning  
Radius Wheels**



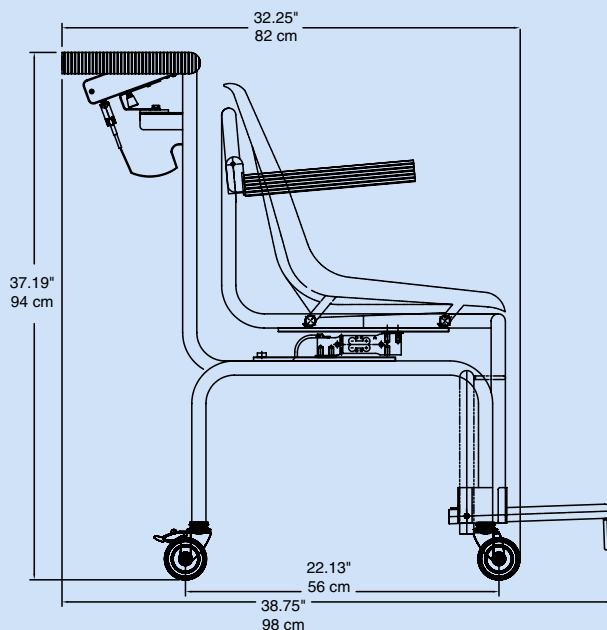
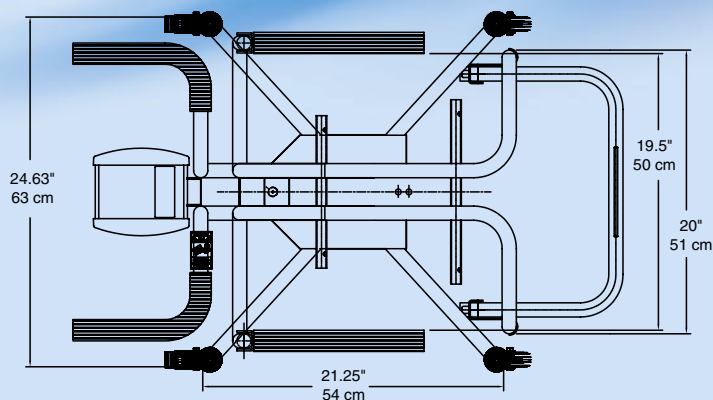
**Extra-large, 0.75  
inch / 19 mm high  
digits on an easy-to-  
read LCD display.**

*Simply touch the BMI  
key and utilize the  
toggle arrows to  
adjust the patient  
height for BMI  
calculation.*

- Lift-a-way arms and footrest.
- Fully electronic - single load cell.
- Oversized 3 inch/8 cm diameter wheels.
- Safety stops on rear wheels for parking in one place without rolling.
- Contoured, sloping backrest allows the patient to assume a relaxed position.
- Equipped with retractable armrests for ease in transferring patients to the chair scale and to accommodate patients with casts.

The large 0.75"/19 mm LCD display is battery powered and is easily readable in the brightest lighting conditions. The soft, padded armrests fold out of the way to allow patients easy accessibility.

- Capacity:** 440 lb x .2 lb / 200 kg x .1 kg  
**Display:** Six-digit, seven-segment, 0.75" / 19 mm high LCD  
**Power:** 6 "AA" size Alkaline, Ni-Cad or NiMH batteries (not included) OR an optional 100 to 240 VAC 50/60Hz 12 VDC 1A wall plug-in UL/CSA listed AC power supply (not included)  
**Keyboard:** Membrane type with 5 keys and 4 directional arrows  
**Construction:** Painted steel



*Detecto Scale reserves the right to improve, enhance, or modify features and specifications without prior notice.*



**Sold By:**

**C&M SCALE**  
 Website: [www.cmscale.com](http://www.cmscale.com)  
 Email: [support@cmscale.com](mailto:support@cmscale.com)

**Toll Free: (800) 243-3721  
 In Chicago: (708) 771-0195  
 Fax: (708) 771-0195**