

# DIGI® Bench Scale and Indicator Package

120/120 Plus



## STANDARD FEATURES

- Large 0.8in (20.3mm) six-digit red LED or LCD display
- 115 or 230VAC
- EPD and printer port for connecting to a PC or printer
- Programmable print output strings
- Available in 150lb/60kg, 300lb/150kg, 500lb/300kg capacities
- Selectable unit of measure lb/kg/g/oz
- Load cell quick disconnect
- Carbon steel platform, stainless steel platter (STL)

## APPROVALS



## SPECIFICATIONS

### POWER:

Line voltages: 115 or 230VAC  
 Frequency: 50 or 60Hz  
 120 Plus Power consumption:  
 (estimated battery life)  
 60 hours with 1 x 350Ω  
 40 hours with 4 x 350Ω  
 Charge time 8 hours

### SERIAL OUTPUT:

EDP port: Full duplex RS-232  
 Printer port:  
 Output-only RS-232 or active 20mA current loop  
 Both ports:  
 9600, 4800, 2400, 1200, 600, 300 bps; 7 or 8  
 data bits; even, odd or no parity

### DISPLAY:

0.8in (20mm), 6-digit Super Red Light Emitting  
 Diode (LED) display, 7-segment, digits  
 \*0.8in (20mm) 6-digit LCD with backlight  
 7-segment digits

### STATUS ANNUNCIATORS:

Designators for: center of zero, stand still, gross,  
 net center of zero, standstill, lb, kg, oz, g  
 \*Battery, setpoint 1 and 2, HI-OK-LO, Hold

### KEYBOARD:

5-key flat membrane panel, tactile feel  
 \*zero, tare, present tare, hold, BML, units,  
 numeric 0-9, clear, enter

### OPERATING TEMPERATURE:

-10°C to 40°C/14°F to 104°F (legal)  
 -10°C to 50°C/14°F to 122°F (industrial)

### RATING/MATERIAL:

Enclosure: heavy gauge ABS

### SCALE APPROVALS:

NTEP Certified per H-44, Class iii, 5000d, Mea-  
 surement Canada approved, AM-5393

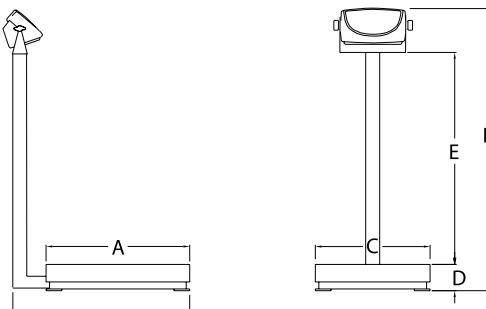
### WARRANTY:

One-year limited warranty

\* Specifications apply to the 120 Plus

DIMENSIONS									
PART#	CAPACITY	EST. SHIP WEIGHT	A	B	C	D	E	F	
<b>120</b>									
83303	150lb/60kg x 0.05lb/0.02kg	57lb	20.44in	24.6in	16.31in	3.94in	23.9in	32.6in	
83304	300lb/150kg x 0.1lb/0.05kg	57lb	20.44in	24.6in	16.31in	3.94in	23.9in	32.6in	
83305†	500lb/300kg x 0.1lb/0.1kg	57lb	20.44in	24.6in	16.31in	3.94in	23.9in	32.6in	
<b>120 Plus</b>									
106908	150lb/60kg x 0.05lb/0.02kg	57lb	20.44in	24.6in	16.31in	3.94in	23.9in	32.6in	
106909	300lb/150kg x 0.1lb/0.05kg	57lb	20.44in	24.6in	16.31in	3.94in	23.9in	32.6in	
106910†	500lb/300kg x 0.1lb/0.1kg	57lb	20.44in	24.6in	16.31in	3.94in	23.9in	32.6in	

† Measurement Canada Approved



<b>PART #</b>	<b>CAPACITY</b>	<b>PLATFORM DIMENSIONS</b>	<b>EST. SHIP WEIGHT</b>
<b>120</b>			
83303	150lb/60kg x 0.05lb/0.02kg .....	17 in x 21 in x 4.5 in.....	57 lb.....
83304	300lb/150kg x 0.1lb/0.05kg .....	17 in x 21 in x 4.5 in.....	57 lb.....
83305†	500lb/300kg x 0.1lb/0.1kg .....	17 in x 21 in x 4.5 in.....	57 lb.....
<b>120 Plus</b>			
106908	150lb/60kg x 0.05lb/0.02kg .....	17 in x 21 in x 4.5 in.....	57 lb.....
106909	300lb/150kg x 0.1lb/0.05kg .....	17 in x 21 in x 4.5 in.....	57 lb.....
106910†	500lb/300kg x 0.1lb/0.1kg .....	17 in x 21 in x 4.5 in.....	57 lb.....

**OPTIONS/ACCESSORIES**

73381 4 in (100mm) castors (four swivels, two with brakes) .....

† Measurement Canada Pending

**C&M SCALE**  
 CALL FOR A QUOTE!  
[www.cmscale.com](http://www.cmscale.com)

Toll Free (800) 243-3721  
 Phone # (708) 771-0100  
 Fax # (708) 771-0195