



### STANDARD FEATURES

- Industrial-quality 304 stainless steel construction
- Rugged five-point overload protection on platform bases
- LifeGuard shock-absorbing bases on 6lb to 100lb capacities in base sizes up to 12in x 12in
- Highly-durable and corrosion-resistant stainless steel load cell on 6lb to 60lb capacities
- Field-proven aluminum load cell on 100lb to 1,000lb capacities
- NEMA 4X/IP66 indicator enclosure
- ToughTouch industrial touch-control front panel with keys for over, under, tare, zero, units, print, target and ID
- Front-panel "Independent Key Disabling" for: OVER, UNDER, TARE, PRINT and UNITS keys
- Displays units in decimal lb, kg, oz, lb and oz, g
- High-intensity LED for over, under and accept
- Storage for up to 300 tare and tolerance settings
- Automatic zero tracking
- 115 or 230VAC operation
- Full duplex RS-232 and/or simplex 20mA current loop communication

### APPROVALS



Measurement  
Canada  
Approved



Meets USDA  
Requirements

### SPECIFICATIONS

#### DISPLAY:

Large 0.8in 7-segment, 6-digit high-intensity red LED display, Decimal point available at each digit

#### STATUS ANNUNCIATORS:

lb, kg, g, oz, net, motion, center of zero, neg

#### KEYBOARD:

Eight-key touch control with international symbols

#### BAR GRAPH:

Five-segment, 7-range programmable multicolored array tracks Over, Under, Accept status in relation to target value

#### INTERNAL RESOLUTION:

50,000 to 1 million based on filtering selection

#### DISPLAY RESOLUTION:

Selectable up to 50,000dd

#### MEASUREMENT RATE:

25 updates/second

#### SYSTEM LINEARITY:

0.01% of F.S.

#### ZERO STABILITY:

100nV/°C maximum

#### SPAN STABILITY:

3ppm/°C maximum

#### AZM (ZERO TRACK):

off, ±.5, 1, 2 or 3dd

#### OPERATIONAL AZM:

±2% or 100% F.S

#### MOTION BAND:

Off, .5, 1, 2, 3, 5, 10dd

#### CALIBRATION METHOD:

Software

#### EXCITATION VOLTAGE:

10 ± .05VDC, 4 x 350ohms load cell

#### DIGITAL FILTER:

Software selectable 1, 2, 4, 8, 16, 32, 64, 128

#### SENSE AMPLIFIER:

Differential amplifier with 6-wire sensing

#### RFI PROTECTION:

Signal, excitation and sense lines protection.  
33V/m for 100kHz  
to 1GHz, ≤1µV susceptibility

#### DIGITAL OUTPUTS:

(Optional) 3 TTL outputs (5VDC) or  
3 N/O relays (10 watts,  
0.5 amp, 100VDC) or 3 N/C relays  
to (10 watts, 0.5 amp, 100VDC)

#### EPD PORT:

Full duplex, RS-232 or 20mA  
simplex output (RS-485 optional)

#### LINE VOLTAGES:

Available in 115 or 230VAC  
(nom.) models

#### FREQUENCY:

50 or 60Hz

#### OPERATING TEMPERATURE:

14°F to 104°F (-10°C to 40°C)

#### INDICATOR DIMENSIONS:

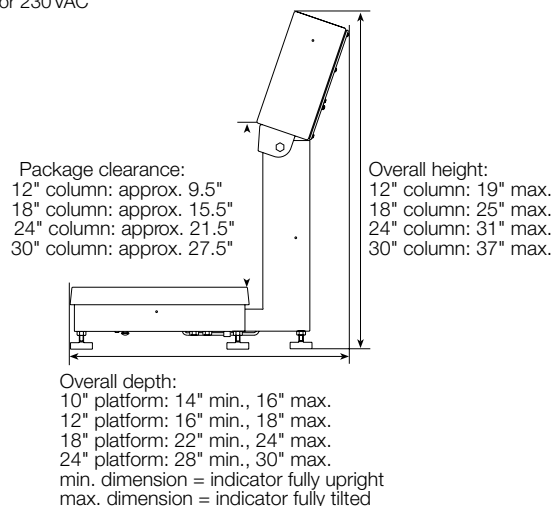
9.5in W x 8.5in H x 3.25in D  
(241mm x 216mm 83mm)

#### APPROVALS:

System approved to 3,000 divisions, NTEP  
Certified per H-44; Indicator, 10,000 d, Class III/  
IIIL, CC #96-118A1, Base, CC #96-107. Mea-  
surement Canada approved: Indicator, AM-5146,  
Base, AM-5156, OIML certificate #R76/1992-  
DE-97.02, UL and C-UL listed, CE marked

#### WARRANTY:

Two-year limited warranty



**C&M SCALE**  
CALL FOR A QUOTE!  
www.cmscale.com

Toll Free (800) 243-3721  
Phone # (708) 771-0100  
Fax # (708) 771-0195

<b>PART #</b>	<b>CAPACITY</b>	<b>PLATFORM DIMENSIONS</b>	<b>COLUMN HEIGHT</b>	<b>EST. SHIP WEIGHT</b>
35113.....	6lb x .002 (3kg x .001) 96oz x .05 .....	10in x 10in x 3in .....	12in .....	20lb .....
35114.....	10lb x .005 (5kg x .002) 160oz x .1 .....	10in x 10in x 3in .....	12in .....	20lb .....
35115.....	15lb x .005 (7kg x .002) 240oz x .1 .....	10in x 10in x 3in .....	12in .....	20lb .....
35116.....	30lb x .01 (15kg x .005) 480oz x .2 .....	10in x 10in x 3in .....	12in .....	20lb .....
35121.....	30lb x .01 (15kg x .005) 480oz x .2 .....	12in x 12in x 3in .....	12in .....	23lb .....
35122.....	60lb x .02 (30kg x .01) 960oz x .5 .....	12in x 12in x 3in .....	12in .....	23lb .....
35175.....	100lb x .02 (50kg x .01) 1,600oz x .5 .....	12in x 12in x 3in .....	12in .....	23lb .....
35176.....	100lb x .02 (50kg x .01) 1,600oz x .5 .....	18in x 18in x 5.25in .....	18in .....	78lb .....
35177.....	200lb x .05 (100kg x .02) 3,200oz x 2 .....	18in x 18in x 5.25in .....	18in .....	78lb .....
35178.....	300lb x .1 (150kg x .05) 4,800oz x 2 .....	18in x 18in x 5.25in .....	18in .....	78lb .....
35179.....	500lb x .1 (250kg x .05) 8,000oz x 2 .....	18in x 18in x 5.25in .....	18in .....	78lb .....
35181.....	200lb x .05 (100kg x .05) 3,200oz x 2 .....	24in x 18in x 5.25in .....	18in .....	95lb .....
35182.....	300lb x .1 (150kg x .05) 4,800oz x 2 .....	24in x 18in x 5.25in .....	18in .....	95lb .....
35183.....	500lb x .1 (250kg x .05) 8,000oz x 5 .....	24in x 18in x 5.25in .....	18in .....	95lb .....
35184.....	1000lb x .2 (500kg x .1) 16,000oz x 5 .....	24in x 18in x 5.25in .....	18in .....	95lb .....
35185.....	200lb x .05 (100kg x .02) 3,200oz x 1 .....	24in x 24in x 5.25in .....	18in .....	110lb .....
35186.....	300lb x .1 (150kg x .05) 4,800oz x 2 .....	24in x 24in x 5.25in .....	18in .....	110lb .....
35187.....	500lb x .1 (250kg x .05) 8,000oz x 2 .....	24in x 24in x 5.25in .....	18in .....	110lb .....
35188.....	1000lb x .2 (500kg x .1) 16,000oz x 5 .....	24in x 24in x 5.25in .....	18in .....	110lb .....

**KG only (230VAC)**

66682.....	3kg x .001 .....	10in x 10in x 3in .....	12in .....	20lb .....
66681.....	5kg x .002 .....	10in x 10in x 3in .....	12in .....	20lb .....
66680.....	7.5kg x .005 .....	10in x 10in x 3in .....	12in .....	20lb .....
68667.....	7.5kg x .005 .....	10in x 10in x 3in .....	3in .....	20lb .....

**OIML Certified (230VAC)**

51200.....	30lb x .01 (15kg x 0.005) 480oz x .2 .....	10in x 10in x 3in .....	12in .....	20lb .....
51201.....	30lb x .01 (15kg x 0.005) 480oz x .2 .....	12in x 12in x 3in .....	12in .....	23lb .....
51202.....	60lb x .02 (30kg x 0.01) 960oz x .5 .....	12in x 12in x 3in .....	12in .....	23lb .....

**OPTIONS/ACCESSORIES**

**Electronics**

Option A 230VAC operation .....No Extra Charge

**Outputs**

Option B 3 TTL level setpoints .....

Option C 3 normally-open relays .....

Option D 3 normally-closed relays .....

**Software**

Option H RS-485 communication (factory installable only) .....

**Hardware**

Option I\*\* 12in indicator column replacing standard column ..... No Extra

Option J\*\* 18in indicator column replacing standard column ..... No Extra

Option K\*\* 24in indicator column replacing standard column .....

Option L\*\* 30in indicator column replacing standard column .....

Option M Combination desk/wall mount bracket replacing std column..... No Extra

Option P 304 stainless steel clamshell load cell protection (12in x 12in 100lb capacity only) .....

41292 304 stainless steel clamshell load cell protection (18in x 18in - 24in x 24in) .....

18805 304 stainless steel clamshell for added load cell protection (18in x 18in 18in x 24in and 24in x 24in),  
1,000lb capacity only .....

32291 Additional operating manual.....

33752 Supervisor's operating guide (includes operator's card)

**C&M SCALE**  
CALL FOR A QUOTE!  
www.cmscale.com

Toll Free (800) 243-3721  
Phone # (708) 771-0100  
Fax # (708) 771-0195