



# CL Series

Compact Scales



***With basic weighing and a simple two-button keypad, there's no reason to settle for other brands when you can have an OHAUS scale!***

The OHAUS CL Compact Scale is a lightweight, portable scale perfectly suited for use in industrial, jewelry and home use applications. Applications can include quality control, formulation, soil sampling, jewelry, postal weighing and dietary weighing.

***Standard Features Include:***

- **Superior RF Protection** – The CL is designed with superior RF protection to deliver accurate and stable results when used in production areas or near cell phones. Approvals for electrical and emissions include CE listed and FCC Class B Part 15 operation.
- **Large Weighing Platform** – The CL is designed with a large weighing platform and can adequately handle large samples including oversized letters.
- **Stackable Design with Integrated Shipping Lock** – The CL has a low profile and storage is made easy with a stackable design. The integrated load cell lock protects the weighing cell from damage during storage or transportation.

# CL Series Portable Compact Scales

## Specifications

Model	CL201	CL2000	CL5000
Capacity (g)	200	2000	5000
Readability (g)	0.1	1	1
Repeatability (Std. Dev.) (g)	0.1	1	1
Linearity (g)	± 0.1	± 1	± 1
Weighing Units	g, lb:oz, ozt, dwt		
Tare Range	To capacity by subtraction		
Stabilization Time	3 seconds		
Optimum Operating Temperature	65° - 77°F / 18° - 25°C		
Power	3 AA batteries (included) AC adapter (optional accessory)		
Battery Life	300 hours		
Calibration	Digital calibration from keypad		
Display (in/cm)	LCD (0.5/1.2 high digits)		
Pan Size (in/cm)	4.75 / 12.0		
Scale Dimensions WxHxD (in/cm)	5.5 x 1.6 x 7.9 / 14 x 4.0 x 20		
Box Dimensions LxW H (in/cm)	9.25 x 6.75 x 2 / 23.5 x 17 x 5.5		
Net Weight (lb/kg)	0.875 / 0.4		
Shipping Weight (lb/kg)	1.3 / .53		

## Standard Features

Easy operation with 2 clearly marked buttons, low battery indicator and auto shut-off feature to conserve battery life, mechanical and software overload protection to protect weighing cell from damage, external push button calibration (calibration masses not included). Powered by 3 "AA" batteries (included) or by optional AC adapter

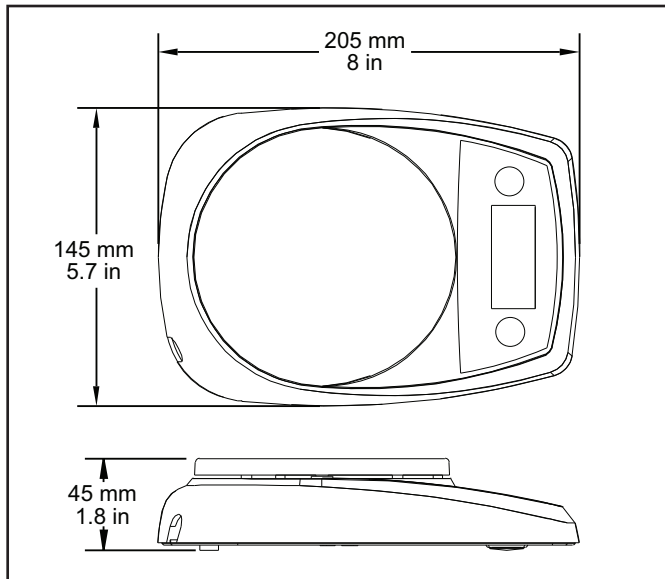
## Options and Accessories

	Ohaus Number
Stainless steel pan .....	80010623
Hard carrying case .....	80010624
Universal power supply .....	46001724 (12V interchangeable plug) 46001780 (plug kit)
Calibration masses .....	Call Ohaus for details

## Industry Leading Quality and Support

All OHAUS CL Series scales are manufactured under an ISO 9001:2000 Registered Quality Management System. Our rugged construction and stringent quality control have been hallmarks of all OHAUS products for over a century.

## Outline Dimensions



**C&M SCALE**  
CALL FOR A QUOTE!  
www.cmscale.com

Toll Free (800) 243-3721  
Phone # (708) 771-0100  
Fax # (708) 771-0195